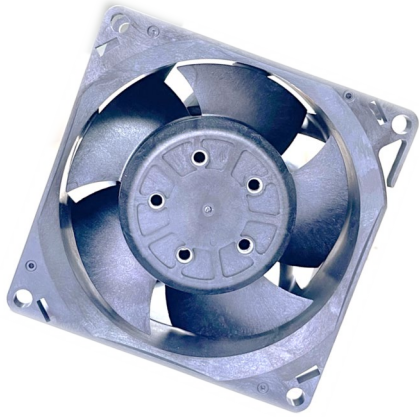
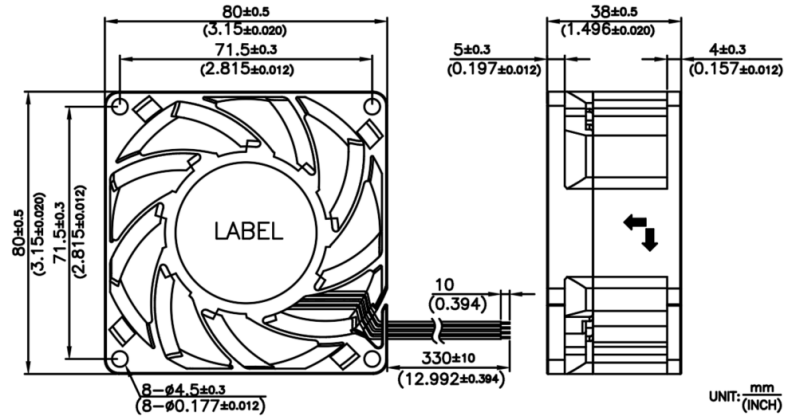


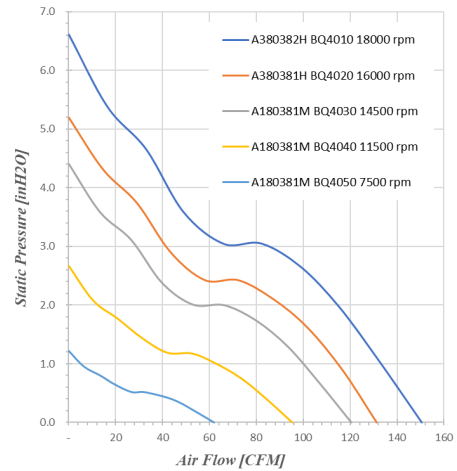
iCloud Fan 80*80*38 MM



DIMENSION DRAWING



Housing : Plastic (UL 94V-0)
 Impeller : Plastic (UL 94V-0)
 Bearing : Ball bearing
 Lead Wires : UL10368 AWG22 OR Equivalent
 Mass : 230g



產品別	Model No.		Control Type	Bearing Type	Rated Voltage	Operating Voltage Range	Operating Temp.	Speed	Input Current	Input Power	Maximum Air Flow		Maximum Air Pressure			Noise
					VDC	VDC	°C	R.P.M	Amp	Watt	CFM	m ³ /min	inH2O	mmH2O	Pa	
8038 12V Series	A380381H	BQ4010	+/-IFG/PWM	Ball	12	10.8~13.2	-10~70	18000	5.95	71.4	150.5	4.3	6.61	167.9	1646	76.1
	A380381H	BQ4020	+/-IFG/PWM	Ball	12	10.8~13.2	-10~70	16000	4.50	54.0	131.3	3.7	5.20	132.0	1294	73.2
	A180381M	BQ4030	+/-IFG/PWM	Ball	12	6.5~13.2	-10~70	14500	3.35	40.2	120.4	3.4	4.41	112.0	1098	71.9
	A180381M	BQ4050	+/-IFG/PWM	Ball	12	6.5~13.2	-10~70	11500	1.56	18.7	95.2	2.7	2.67	67.8	665	65.0
	A180381M	BQ4070	+/-IFG/PWM	Ball	12	6.5~13.2	-10~70	7500	0.51	6.09	62.1	1.8	1.14	31.1	283	55.0
8038 24V Series	A380382H	BQ4010	+/-IFG/PWM	Ball	24	21.6~26.4	-10~70	18000	2.98	71.4	150.5	4.3	6.61	167.9	1646	76.1
	A380382H	BQ4020	+/-IFG/PWM	Ball	24	21.6~26.4	-10~70	16000	2.25	54.0	131.3	3.7	5.20	132.0	1294	73.2
	A180382M	BQ4030	+/-IFG/PWM	Ball	24	21.6~26.4	-10~70	14500	1.68	40.2	120.4	3.4	4.41	112.0	1098	71.9
	A180382M	BQ4050	+/-IFG/PWM	Ball	24	21.6~26.4	-10~70	11500	0.83	19.9	95.2	2.7	2.67	67.79	665	65.0
	A180382M	BQ4070	+/-IFG/PWM	Ball	24	21.6~26.4	-10~70	7500	0.25	6.09	62.1	1.8	1.14	31.12	283	55.0
8038 48V Series	A180384H	BQ4010	+/-IFG/PWM	Ball	48	36~57	-10~70	18000	1.49	71.4	150.5	4.3	6.61	167.9	1646	76.1
	A180384H	BQ4020	+/-IFG/PWM	Ball	48	36~57	-10~70	16000	1.13	54.0	131.3	3.7	5.20	132.0	1294	73.2
	A180384H	BQ4030	+/-IFG/PWM	Ball	48	36~57	-10~70	14500	0.84	40.2	120.4	3.4	4.41	112.0	1098	71.9
	A180384H	BQ4050	+/-IFG/PWM	Ball	48	36~57	-10~70	11500	0.39	18.7	95.2	2.7	2.67	67.8	665	65.0
	A180384H	BQ4070	+/-IFG/PWM	Ball	48	36~57	-10~70	7500	0.13	6.09	62.1	1.8	1.14	31.1	283	55.0